
Comfort-Aire®

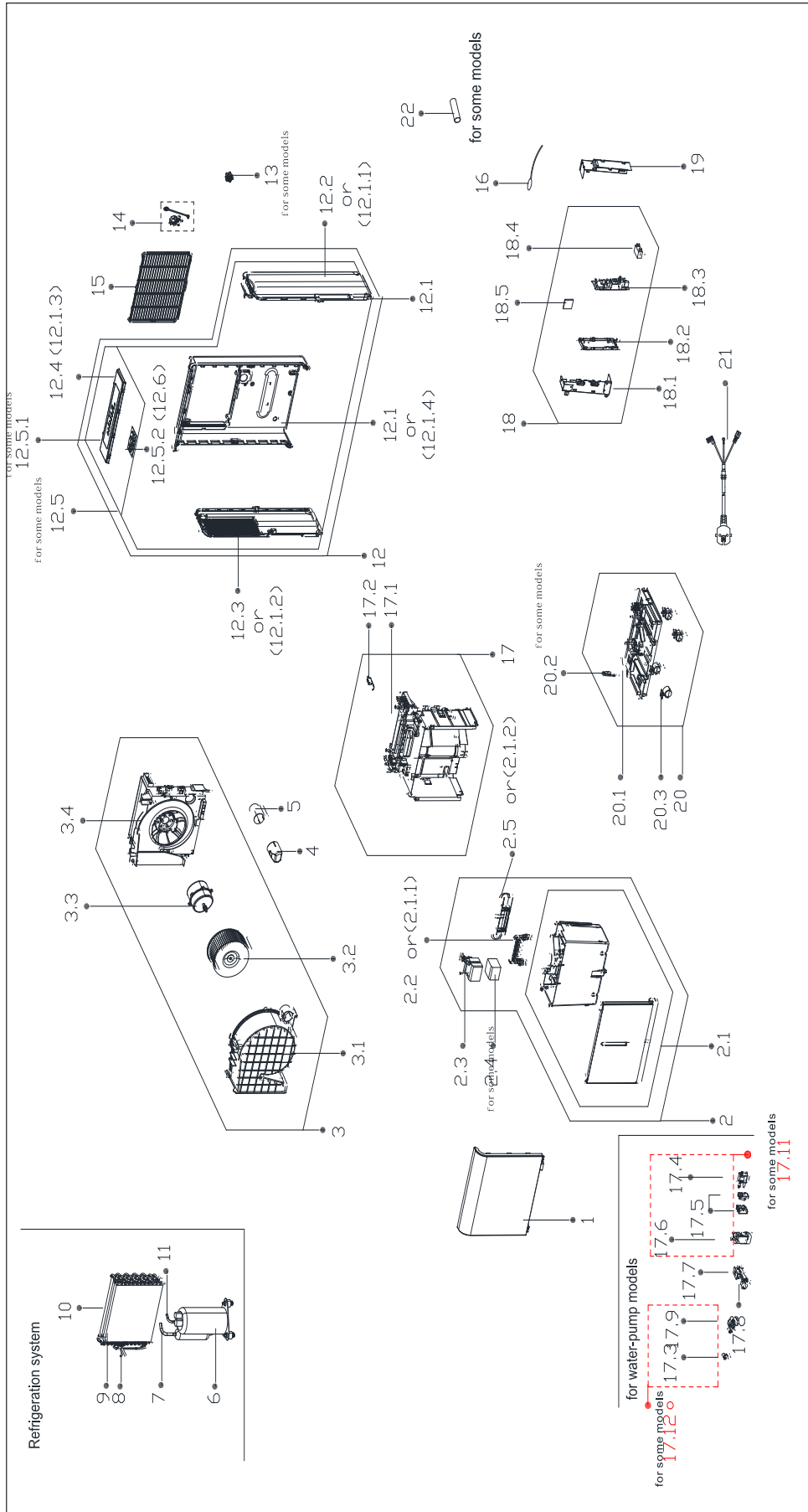
Portable Dehumidifier:

BHD-22A

Parts List

MARS®

EXPLODED VIEW



REPLACEMENT PARTS

Location	Part Name	Quantity	Part No.
1	Front panel assembly	1	12120100A19083
2	water tank assembly	1	12120100A07084
2.1	Water tank subassembly	1	12120100A07085
2.1.1	Handle of water tank	1	12120100005563
2.1.2	Bobbin winder	1	12120100001601
2.3	Dobber case	1	12120100002228
3	Volute shell assembly	1	12120100005574
3.1	Volute Shell	1	12120100001127
3.2	Centrifugal Fan	1	12100103000012
3.3	Single phase asynchronous motor	1	11002012033753
3.4	Supporter subassembly of fan motor	1	12120100000602
4	Capacitor box	1	12120600001477
5	Capacitor of compressor	1	17400103000062
6	Fixed speed rotary compressor	1	11103010018775
7	Suction pipe assembly	1	15120100001992
8	Capillary assembly	1	15120100001412
9	Evaporator assembly	1	15820100000735
10	Condenser assembly	1	15820100000715
11	Discharge pipe assembly	1	15120100002112
12	Rear panel assembly	1	12120100A19076
12.1	Rear panel subassembly	1	12120100006440
12.1.4	Rear panel	1	12120100A07391
12.2	Right side plate	1	12120100A07393
12.3	Left supporter	1	12120100A07392
12.4	Top cover	1	12120100A07092
12.6	Display board subassembly	1	17120100000401
14	Drain connector of water pump	1	12120100A12852
15	Air filter	1	12120100A07086
16	Pipe Temperature Sensor	1	11201007003439
17	Middle partition board assembly	1	12120100005572
17.1	Partition board subassembly	1	12120100005573
17.2	Micro Switch	1	17400512000009
18	Electronic control box subassembly	1	17220100A04383
18.1	Electronic control box	1	12220100000008
18.2	Main control board holder	1	12120100001598
18.3	Dehumidifier main control board subassembly	1	17120100A04272
18.4	Capacitor of fan motor	1	17400101000499
18.5	Humidity sensor board module(plug-in)(double letter KSH-02BHS scheme)	1	17120100000344
19	Cover of electronic control box subassembly	1	12220100000027
20	Chassis Assembly	1	12120100005452
20.1	Chassis Subassembly	1	12120100005451
20.3	Universal wheel	4	12620100000015
21	Power cord subassembly	1	17401202004424

Due to ongoing product improvements, specifications and dimensions are subject to change and correction without notice or incurring obligations. Determining the application and suitability for use of any product is the responsibility of the installer. Additionally, the installer is responsible for verifying dimensional data on the actual product prior to beginning any installation preparations.

Incentive and rebate programs have precise requirements as to product performance and certification. All products meet applicable regulations in effect on date of manufacture; however, certifications are not necessarily granted for the life of a product. Therefore, it is the responsibility of the applicant to determine whether a specific model qualifies for these incentive/rebate programs.

Comfort-Aire®

1900 Wellworth Ave., Jackson MI 49203 • Ph. 517-787-2100 • www.marsdelivers.com

